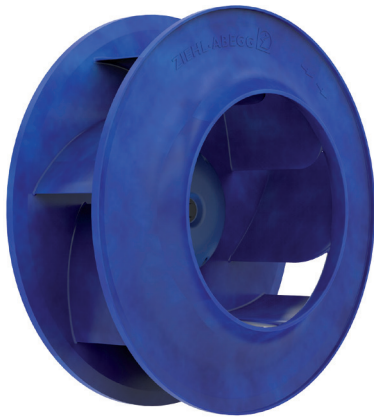


# Cpro-ECblue

for three phase alternating current, 380-480 V

RH40C-ZID



## Description

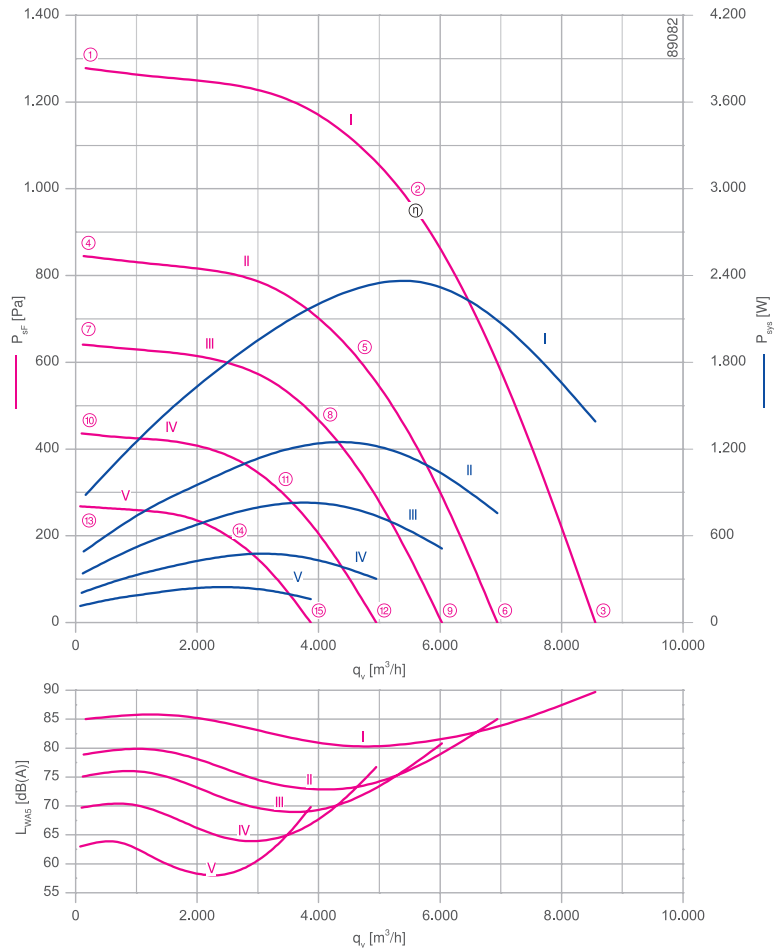
Motor technology: EC  
 Rated voltage U: **3-380-480 V\***  
 Rated frequency f: **50/60 Hz\***  
 Motor input power P: **2.40 kW\***  
 Rated current I: **3.90-3.10 A\***  
 Rated speed n: **2400 min<sup>-1</sup>\***  
 Thermal class: **THCL155\***  
 Min. permitted ambient temperature  $t_{r1}$ : -20 °C  
 Max. permitted ambient temperature  $t_{r2}$  at  $n_{max}$ : 40 °C  
 Electrical connection: integrated Controller  
 Number of blades : 7  
 Balancing quality: G 2.5  
 Protection class: IP54  
 Motor protection: Integrated active temperature management  
 Impeller : ZAmid, uncoated, Ultramarine blue  
 Conformity: ErP 2015, CE

### ErP-data

Efficiency  $\eta_{statA}$ : 70.3 %  
 Efficiency:  $N_{actual} = 79.8 / N_{target} = 62^{**}$   
 EC controller integrated

\*Rated data  
 \*\*ErP 2015

## Characteristic curve

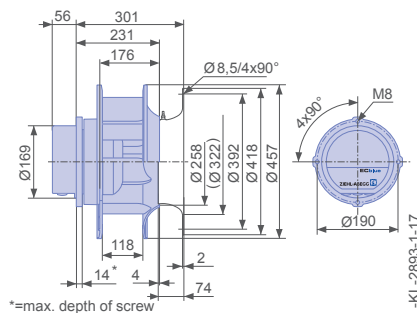


measured with inlet ring, without guard grille according to ISO 5801

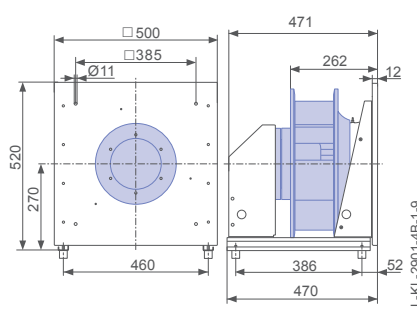
➤ Inlet ring	00401297	Page 450
➤ Connection diagram	1360-401	Page 548
➤ Rubber dampers	30x30 / 40	Page 454
➤ Spring vibration dampers	MSN 4	Page 454
➤ System components		Page 448

## Dimensions [mm]

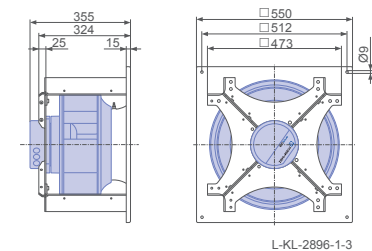
Free-running motor impeller RH  
in installation position H/Vu/Vo



Plug fan ER in installation position H



Ventilation unit GR in installation position H


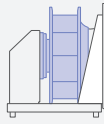
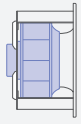
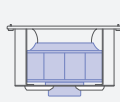
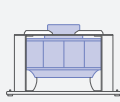


Performance data



Type	Characteristic curve	Speed	Operating point	Current	Motor input power	Suction side sound power level	Maximum ambient temperature
		n [min <sup>-1</sup> ]		I [A]	P <sub>sys</sub> [W]	L <sub>WAS</sub> [dB]	
_40C-ZID.DC.CR	I	2400	①	1.45	880	85	40
		2400	②	3.70	2400	81	
		2400	③	2.20	1400	90	
	II	2300	④	1.30	780	84	60
		2300	⑤	3.20	2100	77	
		2300	⑥	1.95	1200	89	
	III	1950	⑦	0.90	500	79	
		1950	⑧	2.00	1250	73	
		1950	⑨	1.30	760	85	
	IV	1700	⑩	0.68	340	75	
		1700	⑪	1.40	820	69	
		1700	⑫	0.92	520	81	
	V	1400	⑬	0.50	210	70	
		1400	⑭	0.88	480	64	
		1400	⑮	0.64	300	77	

Current values determined at 400V

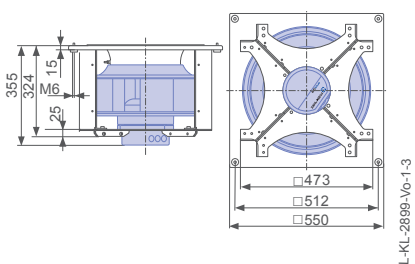
Fan ordering information

Design	RH*	ER**	GR**	GR**	GR**
Installation position	H/Vu/Vo	H	H	Vo	Vu
					
<b>Type</b>	<b>RH40C-ZID.DC.CR</b>	<b>ER40C-ZID.DC.CR</b>	<b>GR40C-ZID.DC.CR</b>	<b>GR40C-ZID.DC.CR</b>	<b>GR40C-ZID.DC.CR</b>
Basic electronics					
<b>Article no.</b>	<b>114512</b>	<b>114595/A01</b>	<b>114547/H01</b>	<b>114547/O01</b>	<b>114547/U01</b>
Premium electronics					
<b>Article no.</b>	<b>114513</b>				
Weight [kg]	12.00	25.00	28.00	29.00	29.00
* Inlet ring not included					
** Inlet ring integrated					

Control technology

<p>Control module</p>  <p>➤ Page 464</p>	<p>Operating terminal</p>  <p>➤ Page 476</p>	<p>Expansion module</p>  <p>➤ Page 473</p>
---	---	---

Ventilation unit GR in installation position Vo



Ventilation unit GR in installation position Vu

