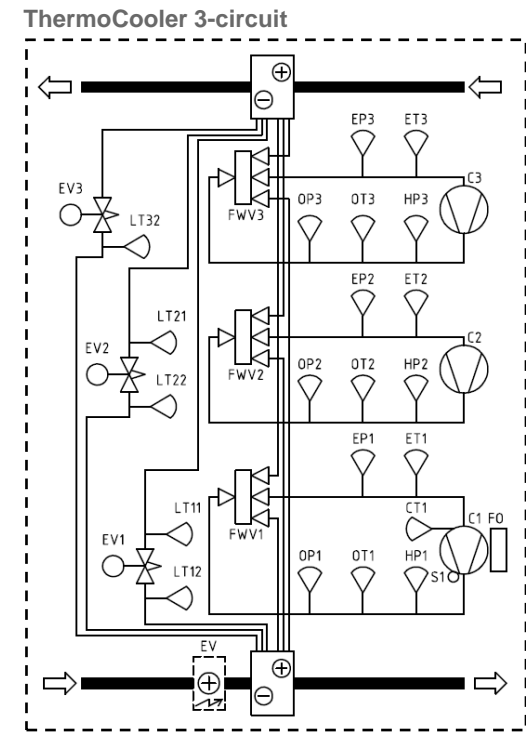
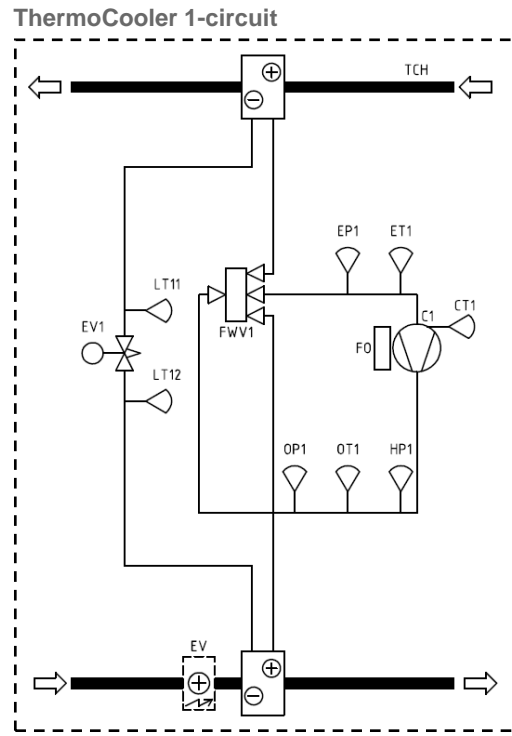


# Examples of useful BACnet addresses for ThermoCooler



- 26209 Heating output signal
- 30925 Cooling output signal
- 30094 Cooling DX command
- 6698 Carel Inverter signal output C1
- 1908 Carel Suction temp ET1 C1
- 14103 Carel Suction temp ET2 C2
- 10038 Carel Suction temp ET3 C3
- 32303 Carel Evaporation temp C1
- 20044 Carel Evaporation temp C2
- 24173 Carel Evaporation temp C3
- 29868 Carel Low pressure EP1 C1
- 17615 Carel Low pressure EP2 C2
- 21742 Carel Low pressure EP3 C3
- 33386 Carel Superheat C1
- 45577 Carel Superheat C2
- 41512 Carel Superheat C3
- 4242 Carel High pressure OP1 C1
- 8433 Carel High pressure OP2 C2
- 12496 Carel High pressure OP3 C3
- 18709 Carel Exp. C1 valve EV1 out. signal
- 12783 Carel Exp. C2 valve EV2 out. signal
- 59814 Carel Exp. C3 valve EV3 out. signal
- 30946 Carel Condensing temp C1
- 18884 Carel Condensing temp C2
- 22822 Carel Condensing temp C3
- 60189 Carel Compressor command C1
- 1487 Carel Compressor command C2
- 44958 Carel Compressor command C3
- 51166 Carel Compressor alarm C1
- 23554 Carel Compressor alarm C2
- 10934 Carel Compressor alarm C3
- 46177 Carel Discharge temp OT1 C1
- 57536 Carel Discharge temp OT2 C2
- 61665 Carel Discharge temp OT3 C3
- 22226 Carel Liquid line temp LT11/12 C1
- 424 Carel Liquid line temp LT21/22 C2
- 4489 Carel Liquid line temp LT32 C3
- 57493 Carel Sub cooling C1
- 36128 Carel Sub cooling C2
- 40193 Carel Sub cooling C3

	Circ. 1	Circ. 2	Circ. 3	
ET1, 2, 3	1908	14103	10038	Carel Suction temp
Calc	32303	20044	24173	Carel Evaporation temp
EP1, 2, 3	29868	17615	21742	Carel Low pressure
Calc.	33386	45577	41512	Carel Superheat
OP1, 2, 3	4242	8433	12496	Carel High pressure
EV1, 2, 3	18709	12783	59814	Carel Exp. valve output signal
Calc.	30946	18884	22822	Carel Condensing temp
C1, 2, 3	60189	1487	44958	Carel Compressor command
C1, 2, 3	51166	23554	10934	Carel Compressor
OT1, 2, 3	46177	57536	61665	Carel Discharge temp
LT11/12, 21/22, 32	22226	424	4489	Carel Liquid line temp
Calc.	57493	36128	40193	Carel Sub cooling

Black	Value/State
Red	Alarm