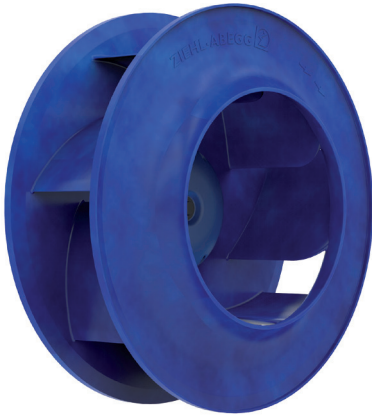


# Cpro-ECblue

for single phase alternating current, 200-277 V

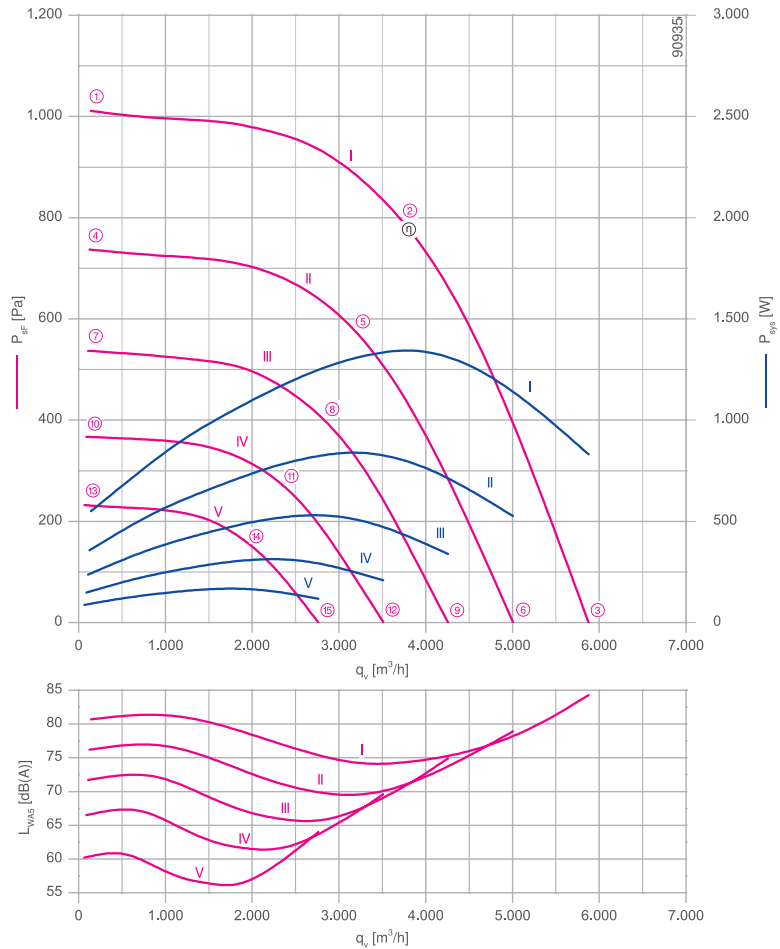
RH35C-ZID



## Description

Motor technology: EC  
 Rated voltage U: 1-200-277 V\*  
 Rated frequency f: 50/60 Hz\*  
 Motor input power P: 1.35 kW\*  
 Rated current I: 6.80-4.90 A\*  
 Rated speed n: 2400 min<sup>-1</sup>\*  
 Thermal class: THCL155\*  
 Min. permitted ambient temperature t<sub>R</sub>: -20 °C  
 Max. permitted ambient temperature t<sub>R</sub> at n<sub>max</sub>: 45 °C  
 Electrical connection: integrated Controller  
 Number of blades: 7  
 Balancing quality: G 6.3  
 Protection class: IP54  
 Motor protection: Integrated active temperature management  
 Impeller: ZAmid, uncoated, Ultramarine blue  
 Conformity: ErP 2015, CE  
**ErP-data**  
 Efficiency η<sub>statA</sub>: 67.5 %  
 Efficiency: N<sub>actual</sub> = 76.7 / N<sub>target</sub> = 62\*\*  
 EC controller integrated  
 \*Rated data  
 \*\*ErP 2015

## Characteristic curve

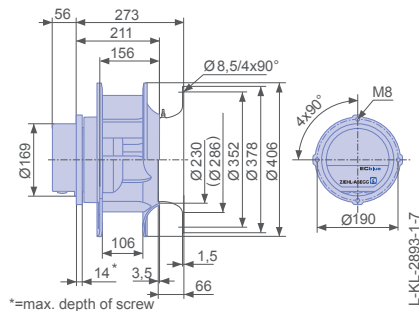


measured with inlet ring, without guard grille according to ISO 5801

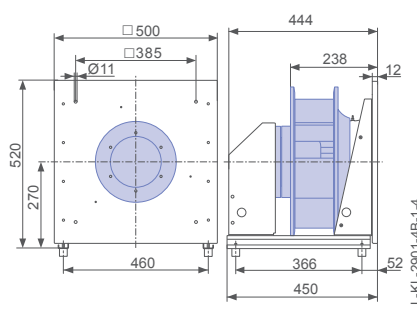
➤ Inlet ring	00401296	Page 450
➤ Connection diagram	1360-401	Page 548
➤ Rubber damper	30x30 / 40	Page 454
➤ Spring vibration damper	MSN 4	Page 454
➤ System components		Page 448

## Dimensions [mm]

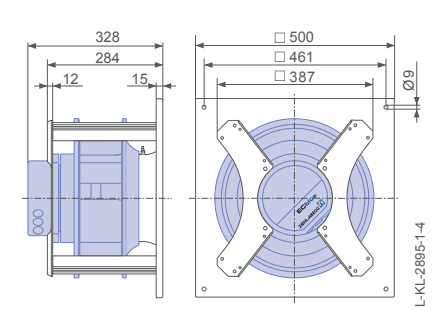
Free-running motor impeller RH in installation position H/Vu/Vo



Plug fan ER in installation position H



Ventilation unit GR in installation position H

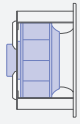
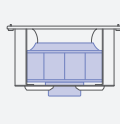
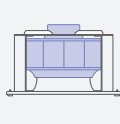


Performance data




Type	Characteristic curve	Speed	Operating point	Current	Motor input power	Suction side sound power level	Maximum ambient temperature
		n [min <sup>-1</sup> ]		I [A]	P <sub>sys</sub> [W]	L <sub>WAS</sub> [dB]	
_35C-ZID.DC.CR	I	2400	①	2.50	540	81	45
		2400	②	6.00	1350	74	
		2400	③	3.70	840	84	
	II	2050	④	1.70	360	76	60
		2050	⑤	3.80	840	70	
		2050	⑥	2.40	520	79	
	III	1750	⑦	1.10	240	72	
		1750	⑧	2.50	540	66	
		1750	⑨	1.60	340	75	
	IV	1450	⑩	0.70	150	67	
		1450	⑪	1.50	310	62	
		1450	⑫	0.98	210	70	
	V	1150	⑬	0.44	85	60	
		1150	⑭	0.76	170	56	
		1150	⑮	0.56	120	64	

Current values determined at 230V

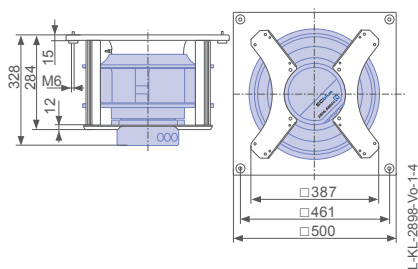
Fan ordering information

Design	RH*	ER**	GR**	GR**	GR**
Installation position	H/Vu/Vo	H	H	Vo	Vu
					
<b>Type</b>	<b>RH35C-ZID.DC.CR</b>	<b>ER35C-ZID.DC.CR</b>	<b>GR35C-ZID.DC.CR</b>	<b>GR35C-ZID.DC.CR</b>	<b>GR35C-ZID.DC.CR</b>
Basic electronics					
<b>Article no.</b>	<b>114496</b>	<b>114587/A01</b>	<b>114539/H01</b>	<b>114539/O01</b>	<b>114539/U01</b>
Premium electronics					
<b>Article no.</b>	<b>114497</b>				
Weight [kg]	11.00	23.00	18.00	18.00	18.00
* Inlet ring not included					
** Inlet ring integrated					

Control technology

Control module  ➤ Page 464	Operating terminal  ➤ Page 476	Expansion module  ➤ Page 473
---	---	---

Ventilation unit GR in installation position Vo



Ventilation unit GR in installation position Vu

