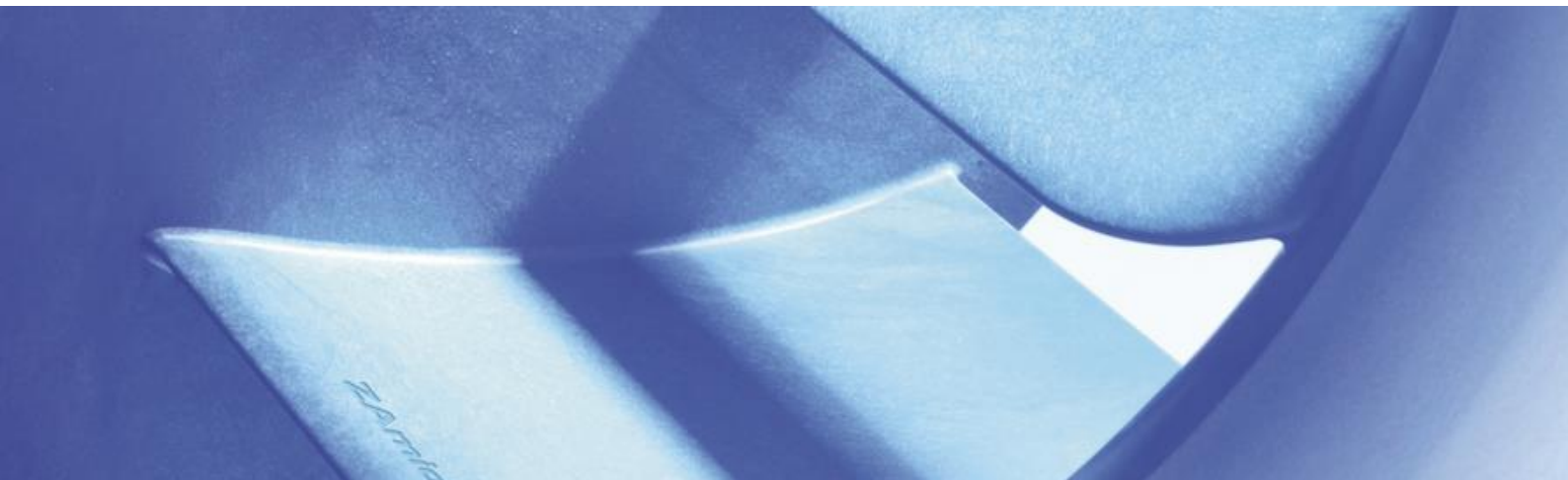


Movement by Perfection



The Royal League in **ventilation**, control and drive technology



Product documentation

Type
RH45C-ZIK.DG.CR

Article number
114880

Product documentation

Customer
IV-Prod

Project
enter here

ZIEHL-ABEGG Contact
Lars-Erik Thor
Tel. 0171-85895
lars-erik.thor@ziehl-abegg.se

ZIEHL-ABEGG Subsidiary
Sweden
ZIEHL-ABEGG Sverige AB
Kvartsgatan 11
749 40 ENKÖPING
SWEDEN
Tel 0171-85880
Fax 0171-85881
www.z-abegg.se
info@z-abegg.se

Type
RH45C-ZIK.DG.CR

Article number
114880



Contents

1.	Product specification	3
2.	Characteristic curve	4
3.	Drawing	5

1. Product specification

Technical data

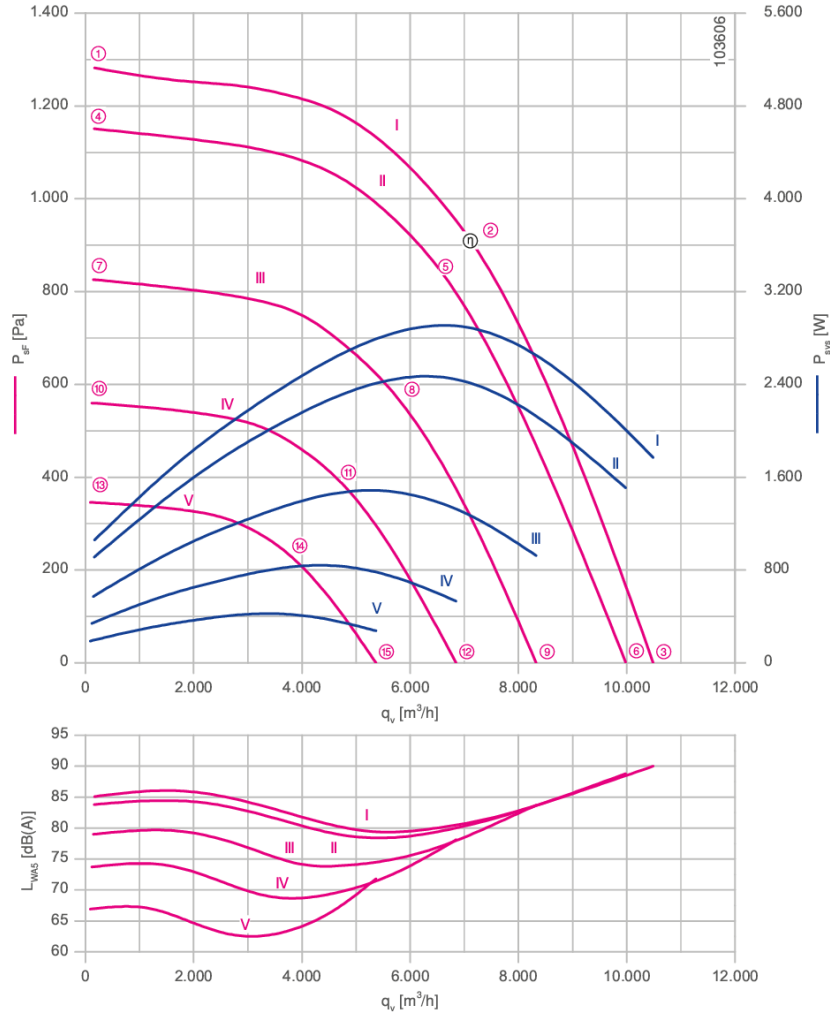
Article number	114880
Type	RH45C-ZIK.DG.CR
Designation	Single inlet impeller with backward curved blades.
Rated values	3~380-480V 50/60Hz P ₁ 2.90kW 4.80-3.70A 2120min ⁻¹ 40°C
Electrical connection	Integrated controller
Control	ECblue basic
Min. operating temperature [°C]	-20
Material impeller	ZAmid
Painting impeller	unpainted
Colour impeller	like RAL 5002 (ultramarine blue)
Connection diagram	1360-403
Rating plate	1x fixed.
Installation position	H/Vu/Vo
Motor protection	integrated active temperaturemanagement
Type of protection	IP54
Thermal class	Thermal class 155
Impregnation	Moisture and hot climate protection
Balancing	2,5
Quality of bearings	ball bearing with long-time lubrication
Labelling UL/CSA	MK116-ZIK.11.UF
Certification	UL Listed Product
Weight kg	16,00
ErP Data	Efficiency η_{statA} : 67.4 % Efficiency: $N_{actual} = 73.1 / N_{target} = 62^*$ *ErP 2015

2. Characteristic curve

Characteristic curve

Frequency: 50 Hz

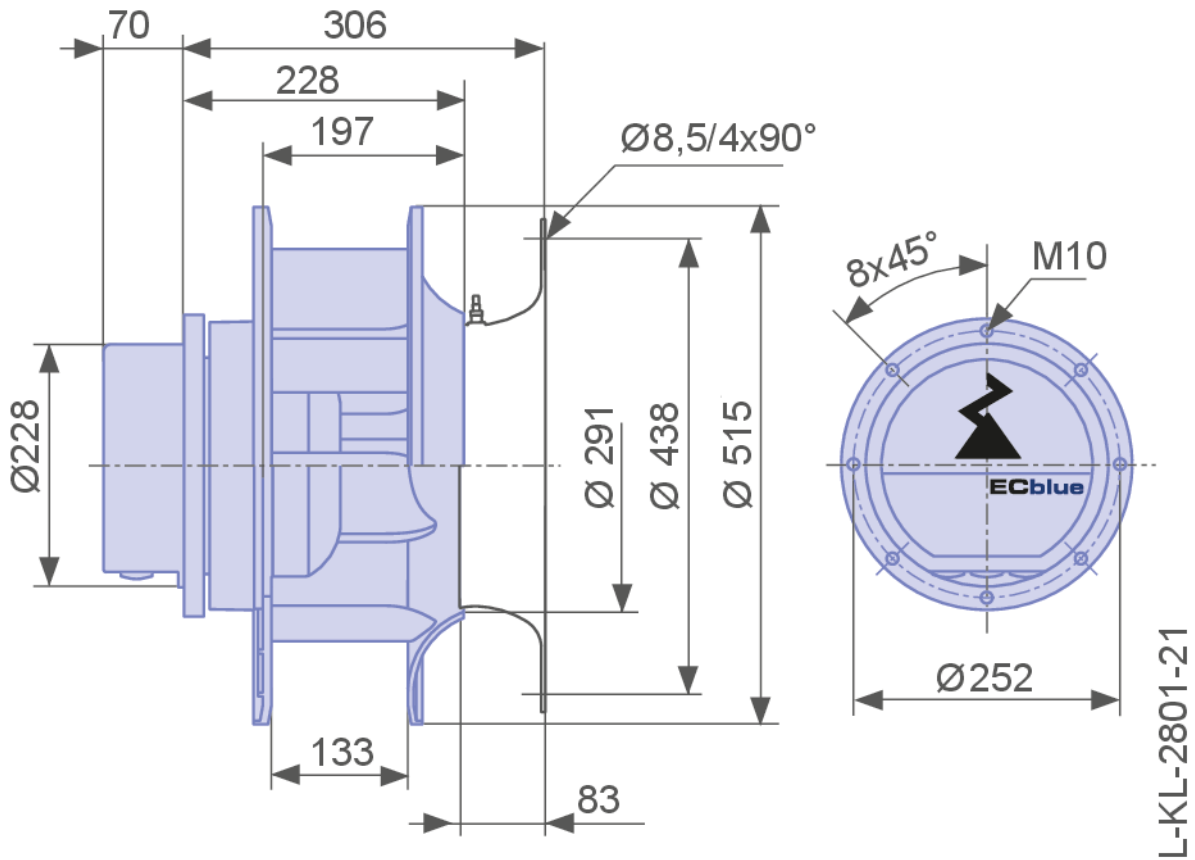
Measured with full bell mouth without inlet guard grille



I = 2120/min, II = 2010/min, III = 1700/min, IV = 1400/min, V = 1100/min

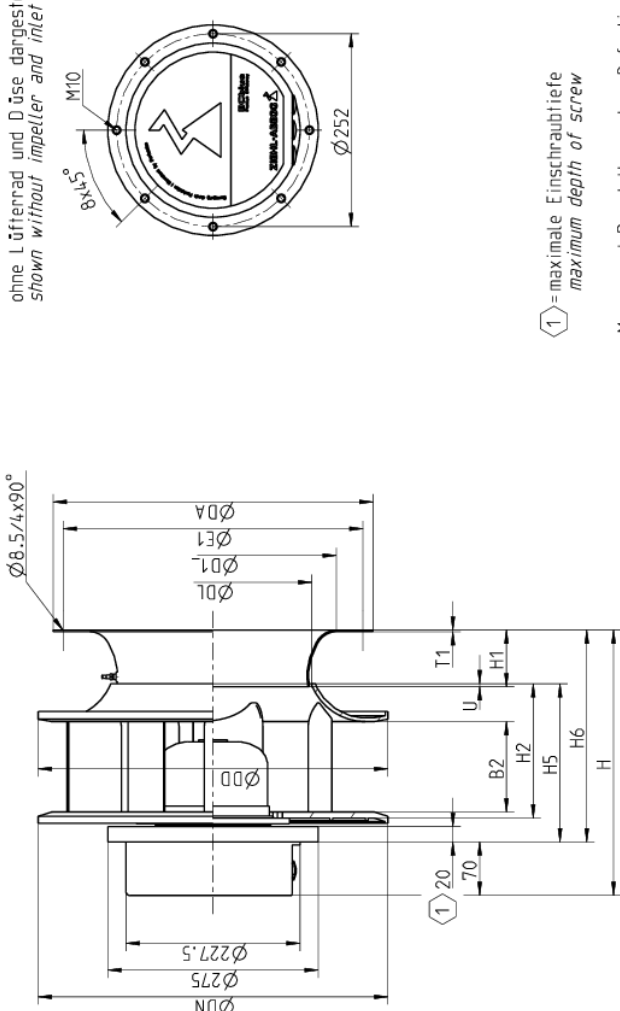
Operating point	①	②	③	④	⑤	⑥	⑦	⑧	⑨	⑩	⑪	⑫	⑬	⑭	⑮	
Characteristic curve	I	I	I	II	II	II	III	III	III	IV	IV	IV	V	V	V	
Connection	Y	Y	Y	Y	Y	Y	Y	Y	Y	Y	Y	Y	Y	Y	Y	
Voltage	V	400	400	400	400	400	400	400	400	400	400	400	400	400	400	
Current	A	1,75	4,60	2,80	1,60	3,90	2,40	1,10	2,40	1,60	0,78	1,45	1,05	0,54	0,86	
Speed	min ⁻¹	2120	2120	2120	2010	2010	2010	1700	1700	1700	1400	1400	1400	1100	1100	
Suction side sound power level	dB(A)	85	80	90	84	80	89	79	75	84	74	70	78	67	63	72

3. Drawing



The Royal League Die Königsklasse

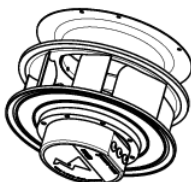
ohne L Öffennrad und Düse dargestellt
shown without impeller and inter ring



1 = maximale Einschraubtiefe
maximum depth of screw

Masse und Darstellung ohne Befestigungsteile
weight and illustration without mounting parts

Typ type	Motor motor	B2	DA	DD	DL	DN	D1_	E1	H	H1	H2	H5	H6	U	T1	MLR_MASSE_	GES_MASSE_
TYP	MOTOR	B2	DA	DD	DL	DN	D1_	E1	H	H1	H2	H5	H6	U	T1	MLR_MASSE_	GES_MASSE_
RH31C-ZIK.DC.CR	MK116-36	95.0	343.0	360.0	203.8	360.0	263.2	317.0	296.6	58.5	140.0	171.1	226.6	3.0	1.5	11	12
RH35C-ZIK.DC.CR	MK116-36	106.0	378.0	406.0	230.2	406.0	286.0	352.0	319.1	65.5	156.0	187.1	249.1	3.5	1.5	12	14
RH35C-ZIK.DG.CR	MK116-54	106.0	378.0	406.0	230.2	406.0	286.0	352.0	319.1	65.5	156.0	187.1	249.1	3.5	1.5	14	15
RH40C-ZIK.DG.CR	MK116-54	118.0	418.0	457.0	258.2	457.0	322.3	392.0	346.6	74.0	175.5	206.6	276.6	4.0	2.0	15	17
RH45C-ZIK.DG.CR	MK116-54	133.0	464.0	515.0	291.0	515.0	364.1	438.0	376.1	83.0	196.5	227.6	306.1	4.5	2.0	16	19



Benennung
title RH31-45C.CR / EC / MK116 4kW Kunststoff-Öffennrad
plastic impeller

index index

Änderung
revision

Datum
date

Name
name

Erstellt
created 26.11.2012 wis

Geprüft
checked 21.02.2013 by

Zeichnungsnummer
drawing number L-AL-3413

Maße in mm
dimensions in mm

Vertrag über Herstellung eines Bauteils, Verwendung und Fälligkeit dieses Bauteils, Verwertung und Fälligkeit dieses Bauteils, sowie eine weitere, soweit nicht ausdrücklich genehmigt, Zusage über die Rechte an dem Bauteil. - All rights reserved. -

Dimensions in mm
Shown drawing is just to show the dimensions of the fan.