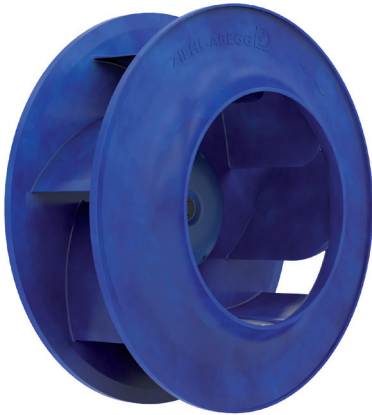


Cpro-ECblue

for single phase alternating current, 200-277 V

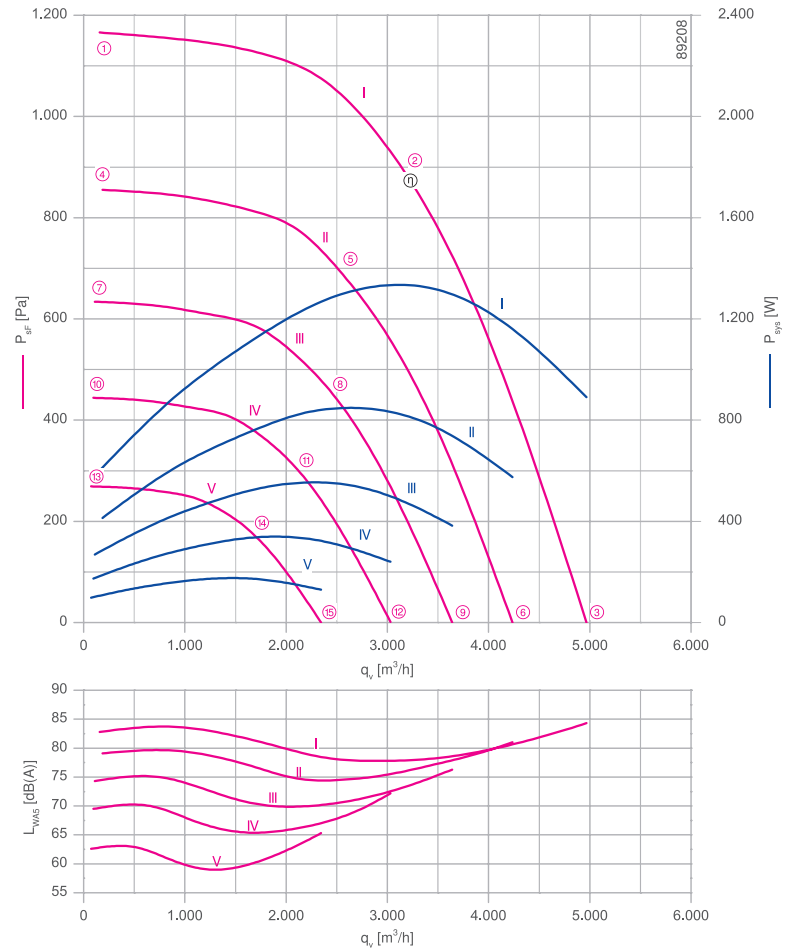
RH31C-ZID



Description

Motor technology: EC
 Rated voltage U: 1-200-277 V*
 Rated frequency f: 50/60 Hz*
 Motor input power P: 1.35 kW*
 Rated current I: 6.70-4.80 A*
 Rated speed n: 2920 min⁻¹*
 Thermal class: THCL155*
 Min. permitted ambient temperature t_R: -20 °C
 Max. permitted ambient temperature t_R at n_{max}: 45 °C
 Electrical connection: integrated Controller
 Number of blades : 7
 Balancing quality: G 6.3
 Protection class: IP54
 Motor protection: Integrated active temperature management
 Impeller : ZAmid, uncoated, Ultramarine blue
 Conformity: ErP 2015, CE
ErP-data
 Efficiency η_{statA}: 65.0 %
 Efficiency: N_{actual} = 74.2 / N_{target} = 62**
 EC controller integrated
 *Rated data
 **ErP 2015

Characteristic curve

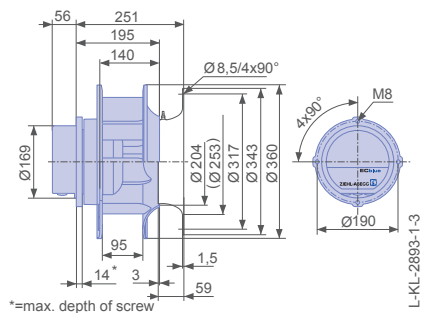


measured with inlet ring, without guard grille according to ISO 5801

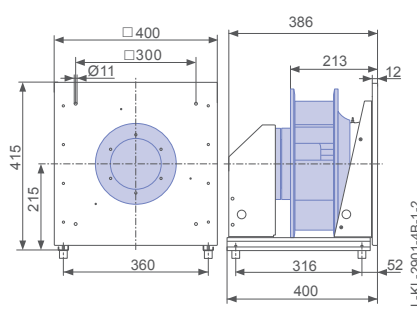
➤ Inlet ring	00401506	Page 450
➤ Connection diagram	1360-401	Page 548
➤ Rubber dampers	30x30 / 40	Page 454
➤ Spring vibration dampers	MSN 4	Page 454
➤ System components		Page 448

Dimensions [mm]

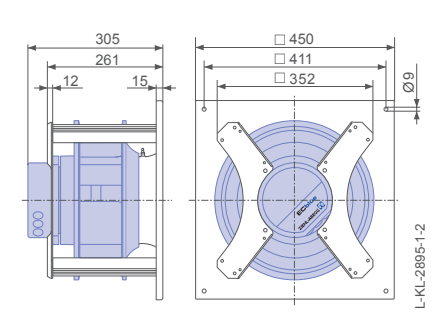
Free-running motor impeller RH in installation position H/Vu/Vo



Plug fan ER in installation position H



Ventilation unit GR in installation position H


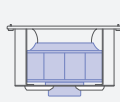
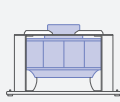


Performance data



Type	Characteristic curve	Speed	Operating point	Current	Motor input power	Suction side sound power level	Maximum ambient temperature
		n [min ⁻¹]		I [A]	P _{sys} [W]	L _{WAS} [dB]	
_31C-ZID.DC.CR	I	2920	①	2.70	600	83	45
		2920	②	5.80	1350	78	
		2920	③	3.90	900	84	
	II	2500	④	1.90	420	79	60
		2500	⑤	3.70	840	75	
		2500	⑥	2.60	580	81	
	III	2150	⑦	1.25	270	74	
		2150	⑧	2.50	560	70	
		2150	⑨	1.80	380	76	
	IV	1800	⑩	0.82	170	70	
		1800	⑪	1.55	340	65	
		1800	⑫	1.10	240	72	
	V	1400	⑬	0.50	100	63	
		1400	⑭	0.82	170	60	
		1400	⑮	0.62	130	65	

Current values determined at 230V

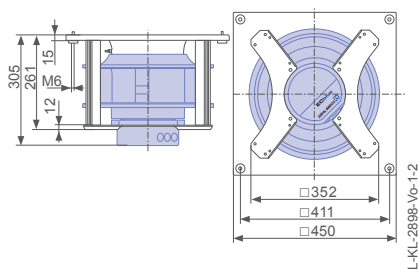
Fan ordering information

Design	RH*	ER**	GR**	GR**	GR**
Installation position	H/Vu/Vo	H	H	Vo	Vu
					
Type	RH31C-ZID.DC.CR	ER31C-ZID.DC.CR	GR31C-ZID.DC.CR	GR31C-ZID.DC.CR	GR31C-ZID.DC.CR
Basic electronics					
Article no.	114484	114581/A01	114533/H01	114533/O01	114533/U01
Premium electronics					
Article no.	114485				
Weight [kg]	10.00	17.00	16.00	16.00	16.00
* Inlet ring not included					
** Inlet ring integrated					

Control technology

<p>Control module</p>  <p>➤ Page 464</p>	<p>Operating terminal</p>  <p>➤ Page 476</p>	<p>Expansion module</p>  <p>➤ Page 473</p>
---	---	---

Ventilation unit GR in installation position Vo



Ventilation unit GR in installation position Vu

