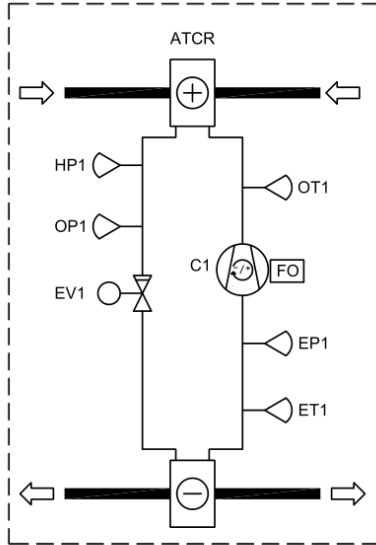


Examples of useful BACnet addresses for EcoCooler and Zon

EcoCooler TOP (ATCR)



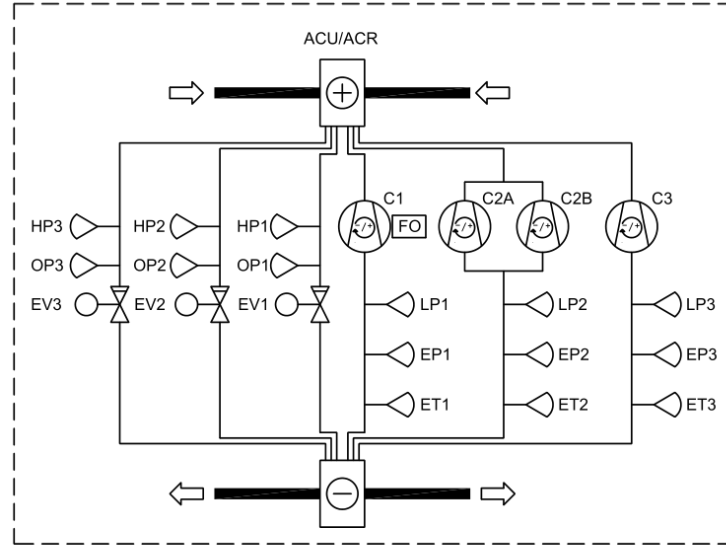
ATCR 04, 16 and 21

- 30925 Cooling output signal
- 6698 Carel Inverter signal output C1
- ET1 1908 Carel Suction temp C1
- OT1 32303 Carel Evaporation temp C1
- EP1 29868 Carel Low pressure C1
- Calc. 33386 Carel Superheat C1
- OP1 4242 Carel High pressure C1 (ATCR 04)
- Calc. 18709 Carel Exp. C1 valve output signal
- Calc. 30946 Carel Condensing temp C1
- 51166 Carel Compressor 1

ATCR 06 and 10

- 30925 Cooling output signal
- 41285 Danfoss VSD actual cooling output sigal
- OP1 16789 Danfoss VSD High pressure
- EP1 722 Danfoss VSD Low pressure
- EP1 14793 Danfoss VSD Compressor 1 command
- OT1 65355 Danfoss VSD Discharge temp
- Calc. 52221 Danfoss VSD Evaporation temp
- Calc. 51293 Danfoss VSD Superheat
- 45899 Communication modbus alarm Danfoss
- 13212 Cooler Alarm (High Pressure)

EcoCooler FLEX (ACU/ACR)



ACU/ACR

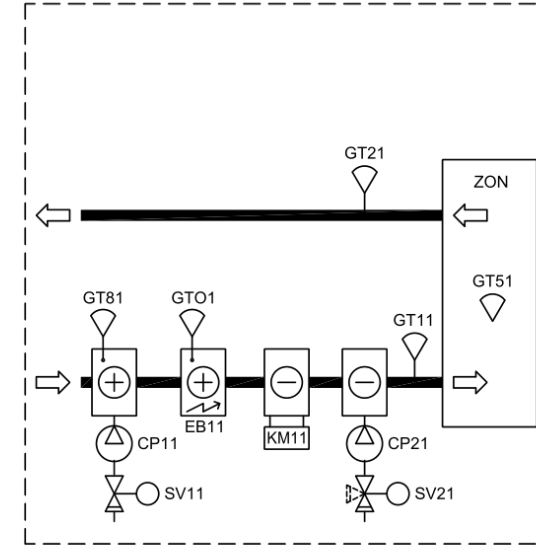
- 5922 Cooling output signal
- 6698 Carel inverter signal output C1

ACU/ACR 060-300 One circuit
 ACU/ACR 360-600 Two circuits
 ACU/ACR 740-980 Three circuits
 Circ. 1 Circ. 2(A) Circ. 3 Circ. 2B

ET1, 2, 3	1908	14103	10038	
Calc	32303	20044	24173	
EP1, 2, 3	46813	17615	21742	
Calc.	29868	45577	41512	
OP1, 2, 3	4242	8433	12496	
EV1, 2, 3	18709	12783	59814	
Calc.	30946	18884	22822	
C1, 2A, 3, 2B	60189	1487	44958	51274
C1, 2A, 3, 2B	51166	23554	10934	31643

- Carel Suction temp
- Carel Evaporation temp
- Carel Low pressure
- Carel Superheat
- Carel High pressure
- Carel Exp. valve output signal
- Carel Condensing temp
- Carel Compressor command
- Carel Compressor

ZON



ZON

- 58394 Extra Sequence sepoint
- 1172 Extra Sequence deadzone
- 20915 Supply temp Extra sequence
- 39209 Room/Exhaust temp Extra sequence
- GT81 4854 Heating 2 frost temp
- GT81 4854 Heating 2 frost temp
- SV11 46994 Heating 2 output signal
- CP11 31944 Heating 2 pump command
- CP11 23306 Heating 2 pump alarm
- EB11 45777 El heating 2 output signal
- EB11 30897 El heating 2 command
- EB11 23132 El heating 2 alarm
- KM11/SV21 60283 Cooling 2 output signal
- KM11 27550 Cooling 2 DX command
- KM11 48824 Cooling 2 DX alarm
- CP21 63601 Cooling 2 pump command
- CP21 31967 Cooling 2 pump alarm

Black	Value/State
Red	Alarm
Green	Setpoint/Command