

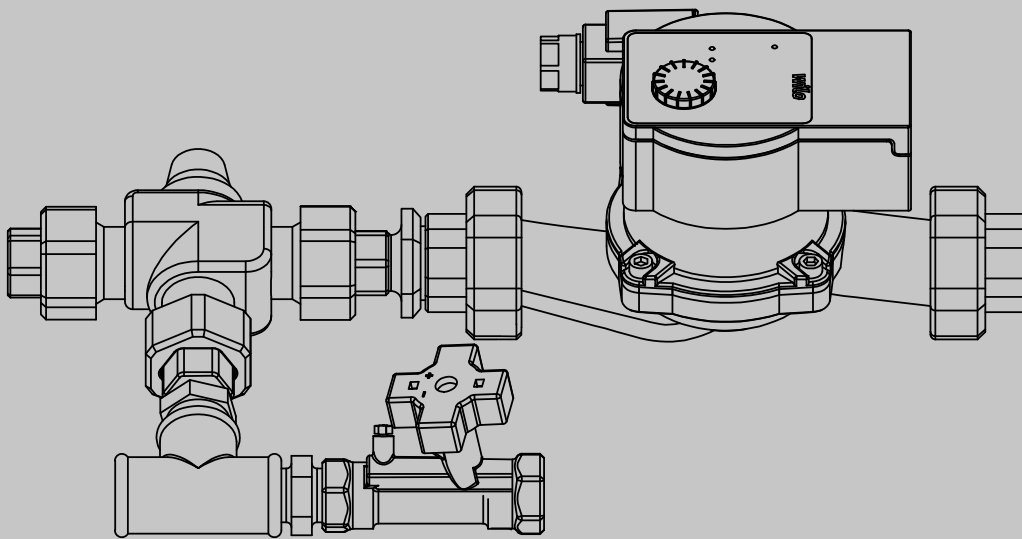


# Product sheet

## Pipe Fitting Unit STD-05

STD-05-0040, STD-05-0063, STD-05-0100

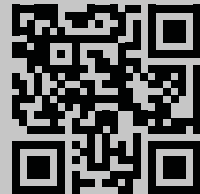
STD-05-0160, STD-05-0250, STD-05-0400





## Documentation for your unit

1. Scan QR code or type docs.ivprodukt.com in your browser.
2. Enter your order number.
3. Press ENTER or click search.
4. Select your order.





Order portal

# Product sheet Pipe Fitting Unit STD-05

## Safety



For instructions and safety procedures during use, refer to the relevant Assembly Instructions, Operation and Care for the unit and the manufacturer's product documentation.

We reserve the right to make any changes to the product that may not be reflected in this product sheet. In the case of doubt, the manufacturer's information will apply.



## Spare parts

Spare parts list can be downloaded from IV Produkt's order portal. Order spare parts and accessories from IV Produkt. See contact information on the last page. Please state the order number and unit designation from the nameplate, located on the unit.

The pipe fitting unit is intended to be used in closed water systems for the regulation of heating coils in air handling units.

The pipe fitting unit consists of a 3-way control valve, a circulation pump and a balancing valve. The unit is assembled at the factory. Valve actuators are included with the delivery of the pipe fitting unit.

Size is chosen depending on fluid flow (maximum 0.4 l/s).

## Technical data

	STD-05					
	-0040	-0063	-0100	-0160	-0250	-0400
Valve Siemens_VXG	44.15-0.4	44.15-0.63	44.15-1.0	44.15-1.6	44.15-2.5	44.15-4.0
Circulating pump Wilo_Yonos Pico	25/1-6	25/1-6	25/1-6	25/1-6	25/1-6	25/1-6
Balancing valve MMA_STV	15	15	15	15	25	25
Valve actuator Siemens_SAS	61.03	61.03	61.03	61.03	61.03	61.03
Flow range (l/s)	0.02-0.04	0.05-0.07	0.08-0.11	0.12-0.18	0.19-0.27	0.28-0.40
Kv-value valve m3/h	0.4	0.63	1	1.6	2.5	4
Pressure drop control valve at maximum flow (kPa)	13	16	16	16	15	13
Available Pressure, Battery/Piping (kPa)	19	20	26	35	34	26



# Product sheet

## Pipe Fitting Unit STD-05

### Pipe Fitting Unit

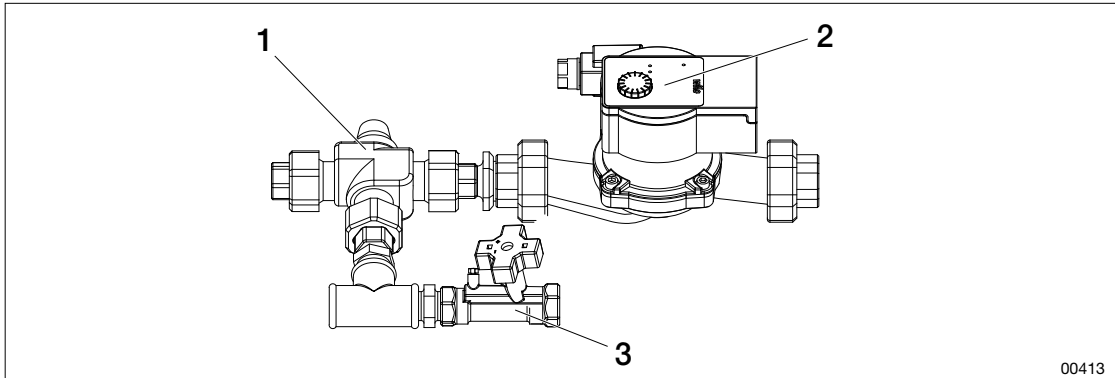


Figure: Pipe Fitting Unit STD-05-0xxx

- 1. Control valve
- 2. Circulating pump
- 3. Balancing valve

### Function

- Variable flow in the primary circuit.
- Constant flow in the secondary circuit (Scandinavian model).
- Suitable for district heating systems, where a low return temp is desired, and in systems with low primary pressures, for example.

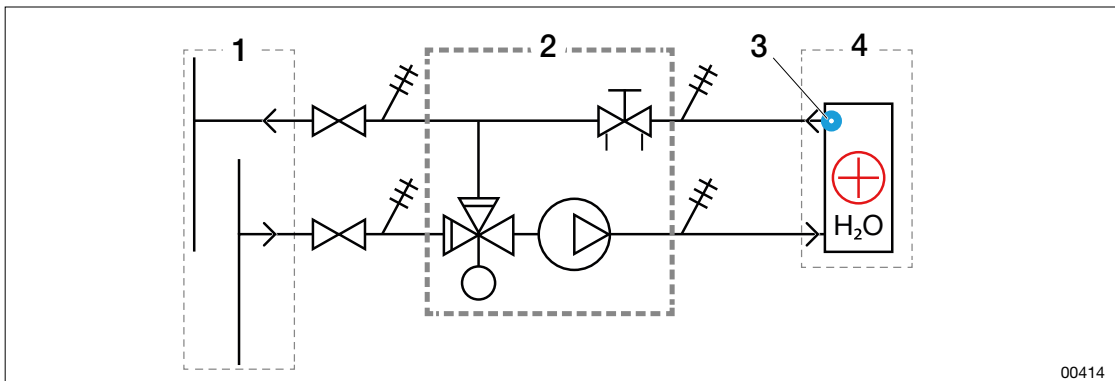


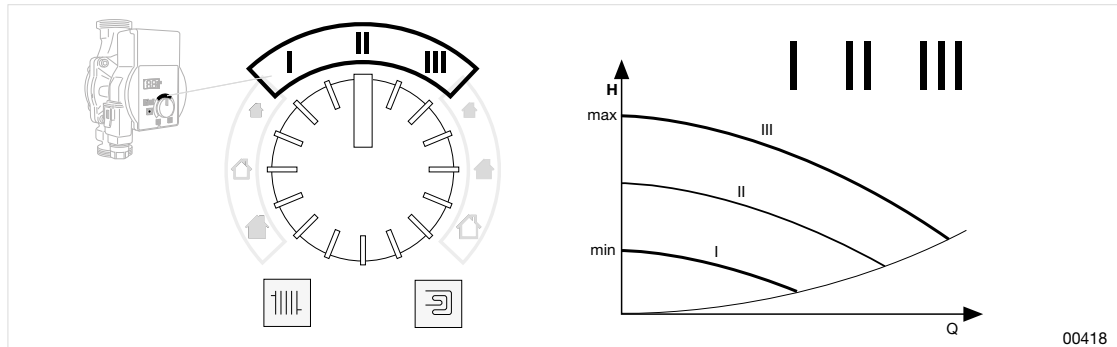
Figure: Pipe Fitting Unit STD-05-0xxx

- 1. Primary Circuit
- 2. Pipe Fitting Unit
- 3. Frost Protection Sensor
- 4. Secondary Circuit

## Circulating pump

### Setting – Constant Speed

The pump runs, unregulated, in three fixed speed stages.

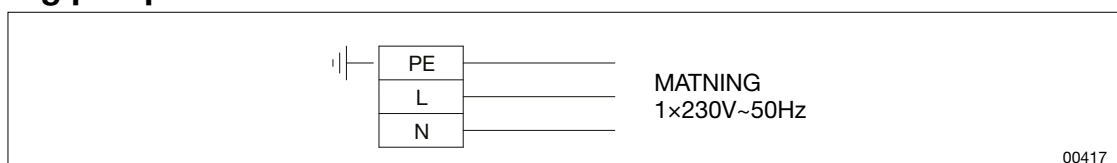


## Balancing

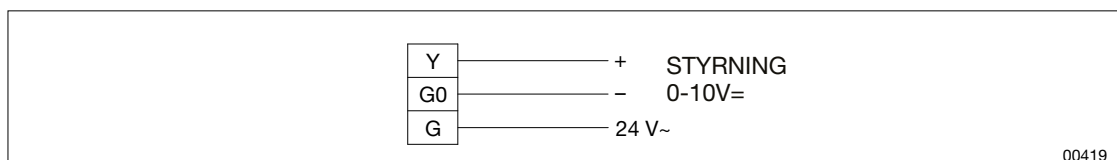
1. Set the balancing valve so that the pressure drop above it is at least 3 kPa (when adjusted fluid flow). See "[Diagram - balancing valve setting \(number of revolutions\)](#)", page 6.
2. Open the control valve to 100%.
3. Set the circulating pump to Constant Speed, in Mode I and measure the fluid flow. If prescribed fluid flow cannot be adjusted, increase to Mode II or Mode III.
4. Close the control valve and ensure that the minimum prescribed fluid flow is obtained. At high primary pressures (to ensure good frost protection function), a balancing valve may be needed in the primary circuit.

## Connection instructions

### Circulating pump



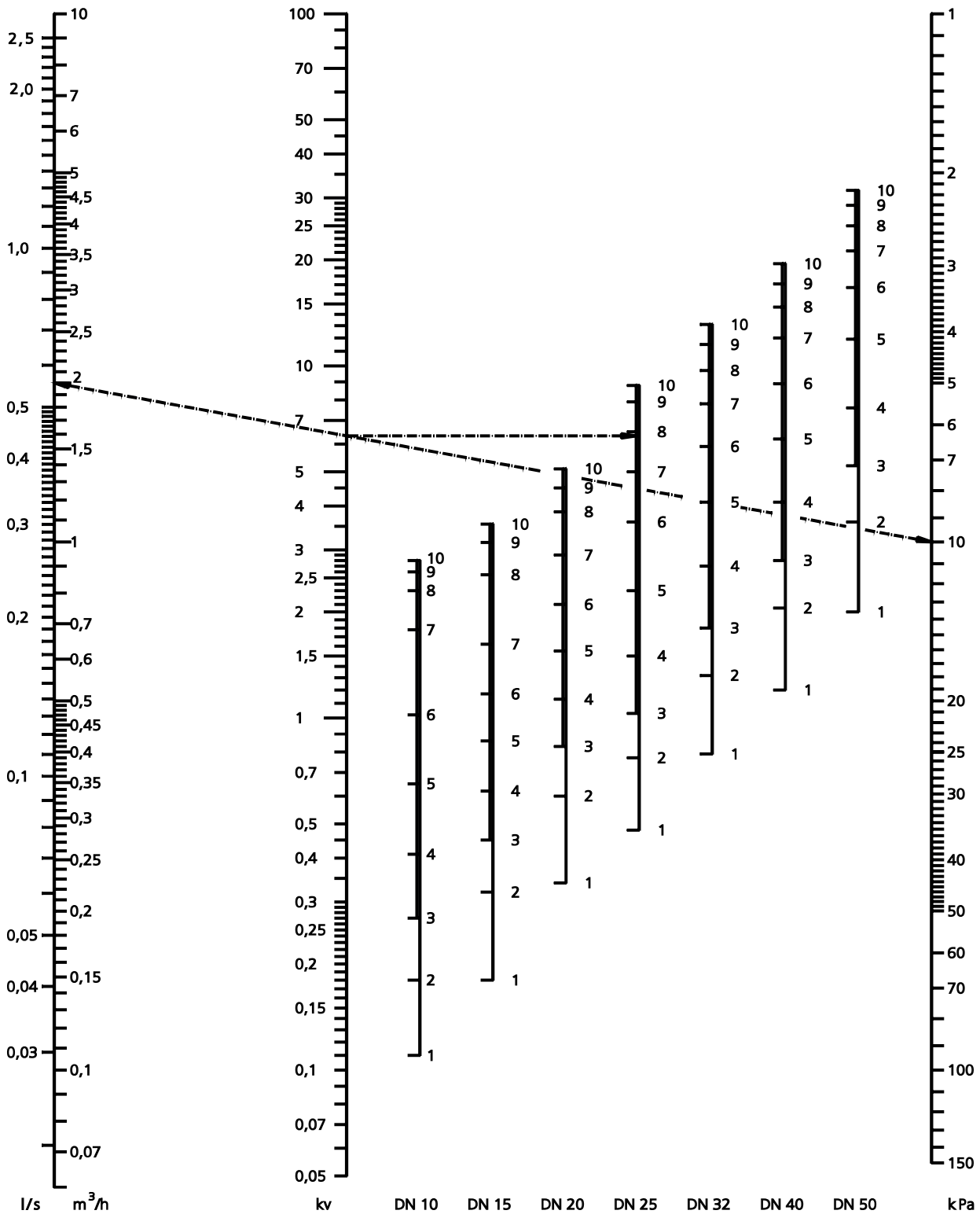
### Valve actuators





# Product sheet Pipe Fitting Unit STD-05

## Diagram - balancing valve setting (number of revolutions)



00415

**Product sheet**  
**Pipe Fitting Unit STD-05**

---



## Feel free to contact us

---



IV Produkt AB, Sjöuddevägen 7, S-350 43 VÄXJÖ  
+46 470 – 75 88 00  
[www.ivprodukt.se](http://www.ivprodukt.se), [www.ivprodukt.com](http://www.ivprodukt.com)  
[www.ivprodukt.no](http://www.ivprodukt.no), [www.ivprodukt.dk](http://www.ivprodukt.dk), [www.ivprodukt.de](http://www.ivprodukt.de)



### Support:

Control:	+46 470 – 75 89 00, <a href="mailto:styr@ivprodukt.se">styr@ivprodukt.se</a>
Service:	+46 470 – 75 89 99, <a href="mailto:service@ivprodukt.se">service@ivprodukt.se</a>
Spare parts:	+46 470 – 75 86 00, <a href="mailto:reservdelar@ivprodukt.se">reservdelar@ivprodukt.se</a>
DU/Documentation:	+46 470 – 75 88 00, <a href="mailto:du@ivprodukt.se">du@ivprodukt.se</a>

---