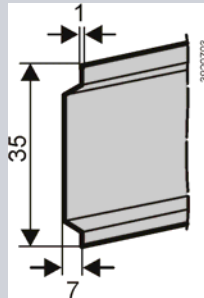
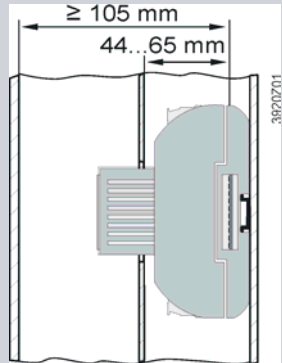
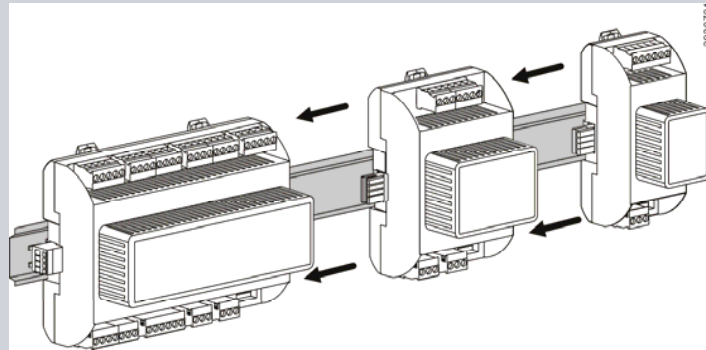


Extension Modules Mounting instruction

First possibility



All Grounds must be at the same potential

Second possibility

