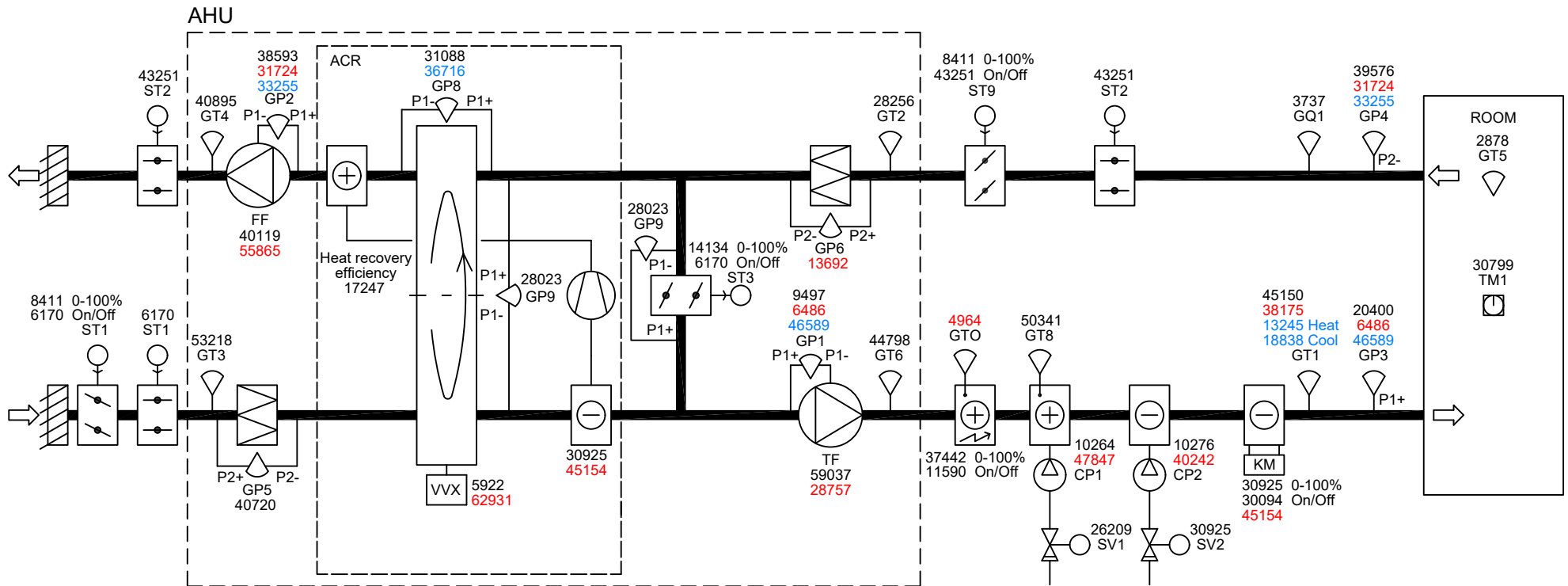


Examples of useful BACnet object addresses for AHU in general (Rotary heat exchanger, Cooling unit etc.)



Status and alarm

6080	Actual operating mode
28279	Actual fan step
31604	Manual operation (terminal service switch)
30799	External control (Dig.Input, timer switch)
24616	0=Winter (Supply air temp. control) 1=Summer (Room/Exhaust temp. control)
46769	Alarm class Danger (A)
42640	Alarm class Critical (A)
38643	Alarm class Low (B)
34514	Alarm class Warning (C)

Black	Value/Status
Green	Setpoint/Command
Red	Alarm
Blue	Actual setpoint-value

Setpoints

8442	BMS control unit (override internal time switch program)
22817	Setpoint heating
65251	Deadzone (creates cooling setpoint, Ex 21°C + 2°C = 23°C)
7989	Supply temp. compensation (Exhaust/Supply alternative)
52572	Supply fan setpoint step 1 (low) TF (% Pa, l/s)
22144	Supply fan step 2 (normal) TF (% Pa, l/s)
8244	Supply fan step 3 (high) TF (% Pa, l/s)
45030	Exhaust fan setpoint step 1 (low) FF (% Pa, l/s)
13370	Exhaust fan step 2 (normal) FF (% Pa, l/s)
17038	Exhaust fan step 3 (high) FF (% Pa, l/s)
22649	Setpoint air quality, CO ²
39130	Alarm reset
28514	Fire Alarm
9864	Emergency stop input

Energy Watch

12177	SFP-Value
39394	Heat recovery Actual rec. power (kW)
35832	Heat recovery day (kWh)
43587	Heat recovery month (kWh)
10992	Heat recovery year (MWh)
51997	Heat recovery last year (MWh)
46842	Added heat Actual Power (kW)
43989	Added heat Energy today (kWh)
22890	Added heat Energy month (kWh)
55769	Added heat Energy year (MWh)
15713	Added heat Energy last year (MWh)
49812	Fans Actual Power (kW)
11618	Fans Energy added today (kWh)
16232	Fans Energy added month (kWh)
49115	Fans Energy added year (MWh)
13057	Fans Energy added last year (MWh)