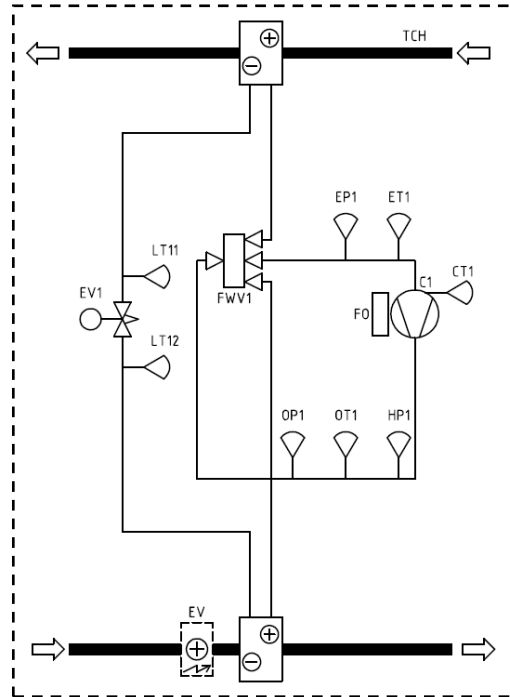
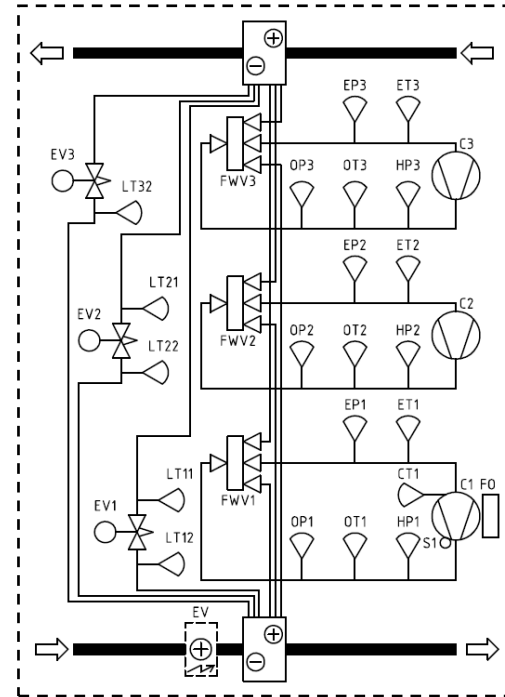


Examples of useful Modbus addresses for ThermoCooler

ThermoCooler 1-circuit



ThermoCooler 3-circuit



ET1, 2, 3
Calc
EP1, 2, 3
Calc.
OP1, 2, 3
EV1, 2, 3
Calc.
C1, 2, 3
C1, 2, 3
OT1, 2, 3
LT11/12, 21/22, 32
Calc.

Circ. 1 Circ. 2 Circ. 3

3x0233	3x0240	3x0247
3x0234	3x0241	3x0248
3x0235	3x0242	3x0249
3x0236	3x0243	3x0250
1x0146	1x0156	1x0166
3x0238	3x0245	3x0252
3x0239	3x0246	3x0253
3x0254	3x0255	3x0256
1x0142	1x0152	1x0162
3x0410	3x0417	3x0420
3x0411	3x0418	3x0421
3x0412	3x0419	3x0422

Carel Suction temp
Carel Evaporation temp
Carel Low pressure
Carel Superheat
Carel High pressure
Carel Exp. valve output signal
Carel Condensing temp
Carel Compressor command
Carel Compressor
Carel Discharge temp
Carel Liquid line temp
Carel Sub cooling

- 3x0040 Heating output signal
- 3x0033 Cooling output signal
- 3x0035 Cooling DX command
- 3x0231 Carel Inverter signal output C1
- 3x0233 Carel Suction temp ET1 C1
- 3x0240 Carel Suction temp ET2 C2
- 3x0247 Carel Suction temp ET3 C3
- 3x0234 Carel Evaporation temp C1
- 3x0241 Carel Evaporation temp C2
- 3x0248 Carel Evaporation temp C3
- 3x0235 Carel Low pressure EP1 C1
- 3x0242 Carel Low pressure EP2 C2
- 3x0249 Carel Low pressure EP3 C3
- 3x0236 Carel Superheat C1
- 3x0243 Carel Superheat C2
- 3x0250 Carel Superheat C3
- 1x0146 Carel High pressure OP1 C1
- 1x0156 Carel High pressure OP2 C2
- 1x0166 Carel High pressure OP3 C3
- 3x0238 Carel Exp. C1 valve EV1 out. signal
- 3x0245 Carel Exp. C2 valve EV2 out. signal
- 3x0252 Carel Exp. C3 valve EV3 out. signal
- 3x0239 Carel Condensing temp C1
- 3x0246 Carel Condensing temp C2
- 3x0253 Carel Condensing temp C3
- 3x0254 Carel Compressor command C1
- 3x0255 Carel Compressor command C2
- 3x0256 Carel Compressor command C3
- 1x0142 Carel Compressor alarm C1
- 1x0152 Carel Compressor alarm C2
- 1x0162 Carel Compressor alarm C3
- 3x0410 Carel Discharge temp OT1 C1
- 3x0417 Carel Discharge temp OT2 C2
- 3x0420 Carel Discharge temp OT3 C3
- 3x0411 Carel Liquid line temp LT11/12 C1
- 3x0418 Carel Liquid line temp LT21/22 C2
- 3x0421 Carel Liquid line temp LT32 C3
- 3x0412 Carel Sub cooling C1
- 3x0419 Carel Sub cooling C2
- 3x0422 Carel Sub cooling C3

Black	Value/State
Red	Alarm