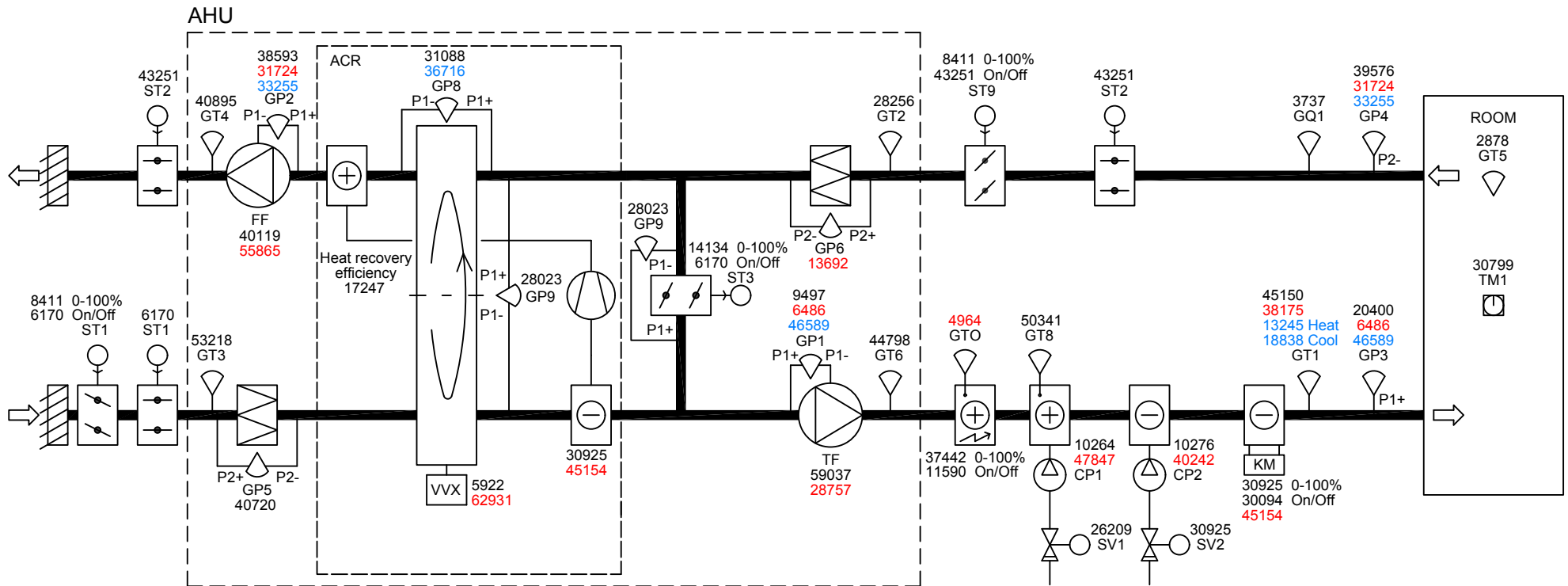


Examples of useful BACnet object addresses for AHU in general (Rotary heat exchanger, Cooling unit etc.)



Status and alarm

- 6080 Actual operating mode
- 28279 Actual fan step
- 31604 Manual operation (terminal service switch)
- 30799 External control (Dig.Input, timer switch)
- 24616 0=Winter (Supply air temp. control)
1=Summer (Room/Exhaust temp. control)
- 46769 Alarm class Danger (A)
- 42640 Alarm class Critical (A)
- 38643 Alarm class Low (B)
- 34514 Alarm class Warning (C)

Black	Value/Status
Green	Setpoint/Command
Red	Alarm
Blue	Actual setpoint-value

Setpoints

- 8442 BMS control unit (override internal time switch program)
- 22817 Setpoint heating
- 65251 Deadzone (creates cooling setpoint, Ex 21°C + 2°C = 23°C)
- 7989 Supply temp. compensation (Exhaust/Supply alternative)
- 52572 Supply fan setpoint step 1 (low) TF (% Pa, l/s)
- 22144 Supply fan setpoint step 2 (normal) TF (% Pa, l/s)
- 8244 Supply fan setpoint step 3 (high) TF (% Pa, l/s)
- 25092 Exhaust fan setpoint step 1 (low) FF (% Pa, l/s)
- 45030 Exhaust fan setpoint step 2 (normal) FF (% Pa, l/s)
- 13370 Exhaust fan setpoint step 3 (high) FF (% Pa, l/s)
- 22649 Setpoint air quality, CO²
- 39130 Alarm reset
- 28514 Fire Alarm
- 9864 Emergency stop input

Energy Watch

- 12177 SFP-Value
- 39394 Heat recovery Actual rec. power (kW)
- 35832 Heat recovery day (kWh)
- 43587 Heat recovery month (kWh)
- 10992 Heat recovery year (MWh)
- 51997 Heat recovery last year (MWh)
- 46842 Added heat Actual Power (kW)
- 43989 Added heat Energy today (kWh)
- 22890 Added heat Energy month (kWh)
- 55769 Added heat Energy year (MWh)
- 15713 Added heat Energy last year (MWh)
- 49812 Fans Actual Power (kW)
- 11618 Fans Energy added today (kWh)
- 16232 Fans Energy added month (kWh)
- 49115 Fans Energy added year (MWh)
- 13057 Fans Energy added last year (MWh)