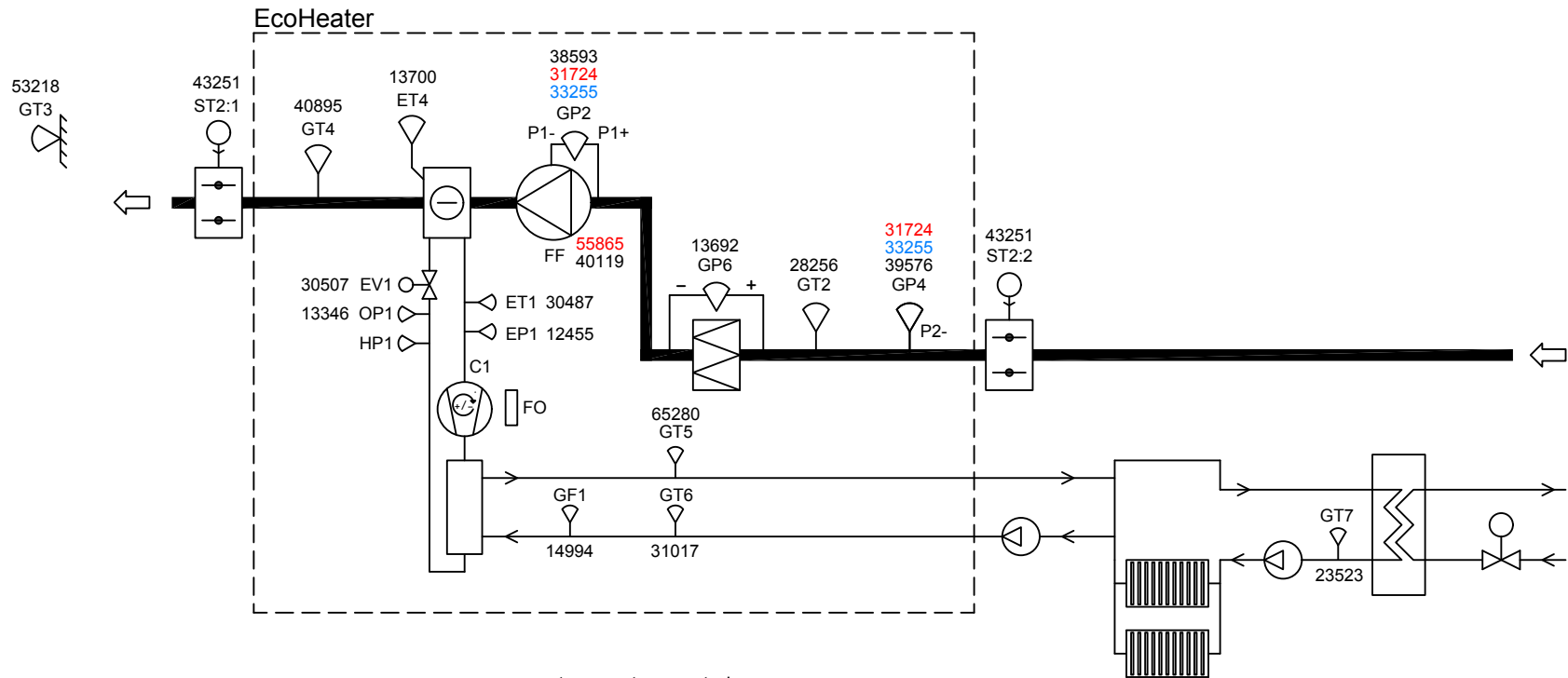


# Examples of useful BACnet Objects for EcoHeater in general (EHP - Extract air Heat Pump)



## EcoHeater

- 8442 BMS control (override time switch program) (1=Av, 3=steg2)
- 45030 Exhaust fan step 1 (low) FF (Pa, l/s)
- 13370 Exhaust fan step 2 (normal) FF (Pa, l/s)
- 17038 Exhaust fan step 3 (high) FF (Pa, l/s)
- 39130 Alarm reset
- 28514 Fire Alarm
- 57702 Heatpump block compressor
- 6080 Actual operation mode
- 28279 Actual fan step
- 31604 Manual operation (Service)
- 30799 Actual Opmode External control
- 2486 Exhaust temperature fire alarm
- 46769 Alarm class Danger alarm (A) status
- 42640 Alarm class Critical alarm (A) status
- 38643 Alarm class Low alarm (B) status
- 34514 Alarm class Warning alarm (C) status

## temperature control external radiator curve

- 54182 Heatpump ext. control signal

## temperature control internal radiator curve

- 48643 Heatpump OutT. setpoint X2
- 26666 Heatpump SupplyT. setpoint Y2
- 13557 Heatpump OutT. setpoint X3
- 54156 Heatpump SupplyT. setpoint Y3
- 17426 Heatpump OutT. setpoint X4
- 41835 Heatpump SupplyT. setpoint Y4
- 21555 Heatpump OutT. setpoint X5
- 45898 Heatpump SupplyT. setpoint Y5
- 32709 Heatpump OutT. setpoint X6
- 43500 Heatpump SupplyT. setpoint Y6

## Compressor

- 41403 Heatpump Heating demand input
- 24097 Heatpump Inverter signal output
- 5078 Heatpump Evaporation temp
- 65171 Heatpump Condensing temperature
- 20527 Heatpump compressor run time
- 23306 Heatpump alarm

Black	Value/Status
Green	Setpoints/Command
Red	Alarm
Blue	Actual setpoint-value

## Energy Watch (EWA-02)

- 13472 COP
- 47207 HP Capacity kW
- 36797 HP out Day kWh
- 45391 HP out Month kWh
- 54214 HP out Year MWh
- 33579 HP out Last Year MWh
- 57948 HP out Trip MWh
- 11946 HP in Power kW
- 25290 HP in Day kWh
- 55761 HP in Month kWh
- 34885 HP in Year MWh
- 60341 HP in Last Year MWh
- 47583 HP in Trip MWh
- 42936 Fan in Power kW
- 10517 Fan Day kWh
- 12917 Fan Month kWh
- 44778 Fan Year MWh
- 17 Fan Last Year MWh
- 40816 Fan Trip MWh
- 38740 SFP